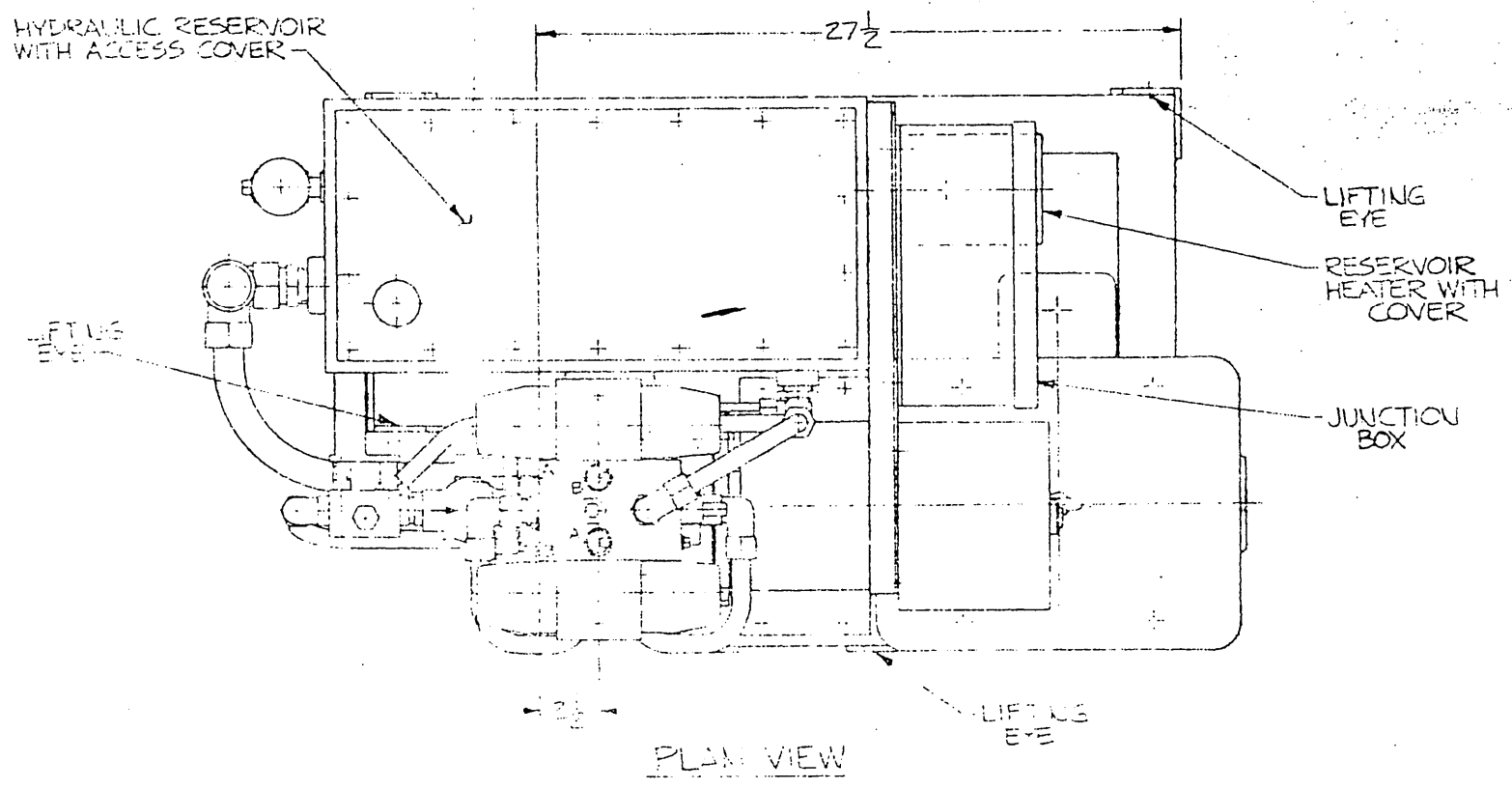
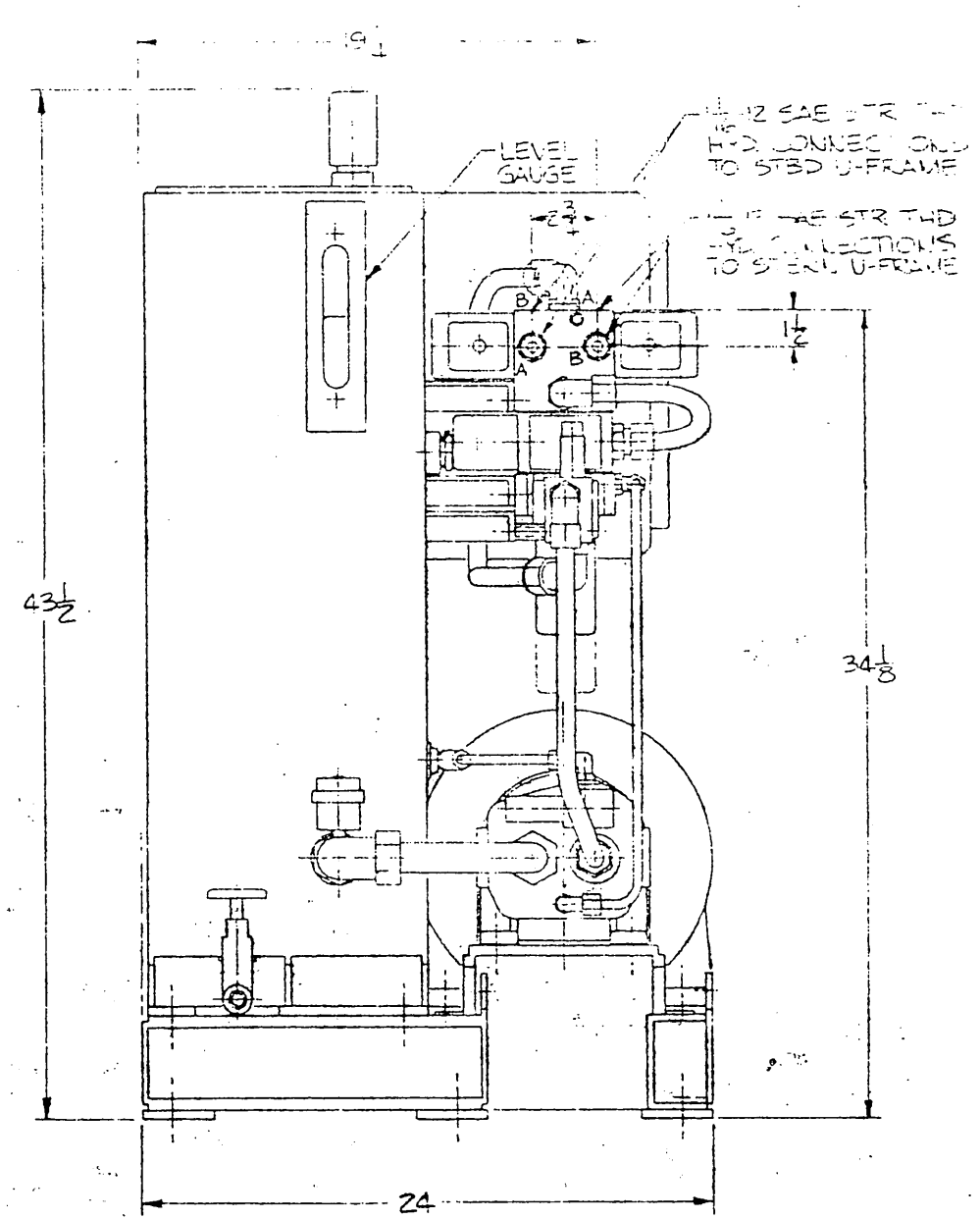


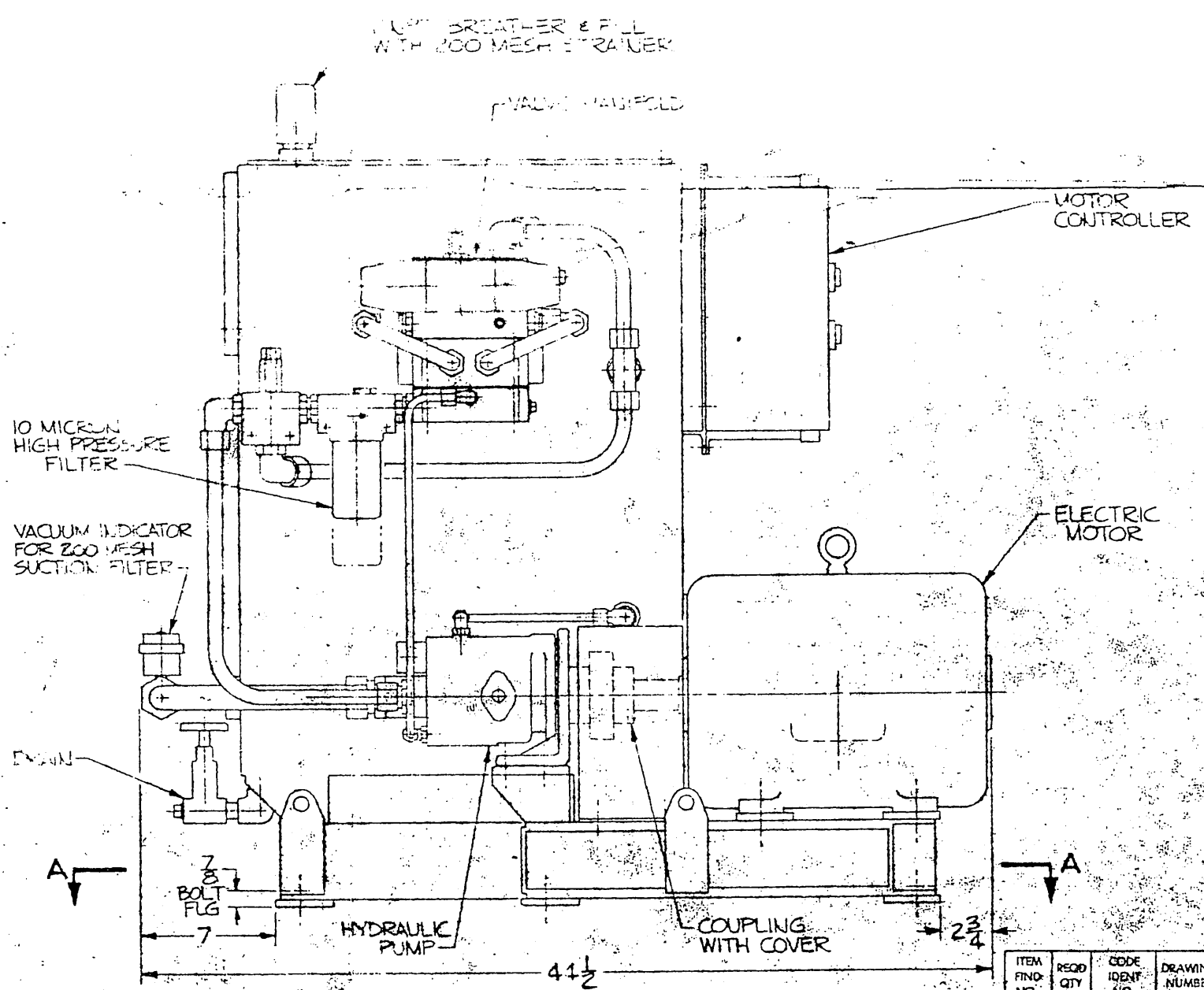
Deck EXATINE PLAN A-A



PLAN VIEW



ELEVATION



ELEVATION

**SPECIFICATIONS**  
 POWER SOURCE - ELECTRIC MOTOR 15HP  
 1800 RPM, 440VAC, 3 PH, 60 HZ  
 HYDRAULIC PUMP - 10 GPM PRESSURE COMPENSATED  
 HYD. RESERVOIR CAPACITY - 30 GALLONS

REVISIONS						
LTR	ZONE	ITEM	DESCRIPTION	DATE	BY	APPVD

ITEM NO.	REQD QTY	CODE IDENT NO.	DRAWING NUMBER	PART OR IDENTIFYING NUMBER	NON-BRAND NAME OR DESCRIPTION	MATERIAL	EQUIPMENT GOVT OR MIL SPECIFICATION	PURCHASE INFO
UNLESS OTHERWISE SPECIFIED				CONTRACT OR PROJECT NO.		NORTHERN LINE MACHINE & ENGINEERING CO.		
DIMENSIONS ARE IN INCHES				55003-06		DIVISION OF TACOMA SHIPBUILDING CO., INC.		
TOLERANCES ON:				DRAWN: J. Johnson 1-16-73		HYDRAULIC POWER UNIT		
FRACTIONS =				CHECK: SKS 1-26-73		MODEL 3356-HPU		
DECIMALS =				INCH		OUTLINE & SPECIFICATIONS		
ANGLES =				APPROVED: [Signature]		SIZE CODE IDENT NO.		
NEXT ASSY. USED ON (IF PL)				AGOR 21 U-FRAME		F 25511		
SURFACE FINISH				MODEL NO. 3356-HPU		DRAWING NUMBER		
MICROINCHES RMS				DO NOT SCALE THIS DRAWING		14563		
AFFILIATION				APPROVED		SCALE 3"=1'-0" WEIGHT (DRY) 1000 LBS SHEET 1 OF 1		